



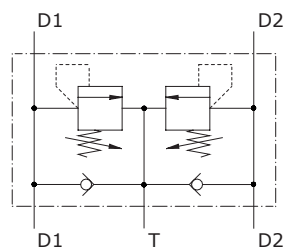
Type VAIL/VA pressure relief valves

- Double antishock direct acting relief valve with anticavitation

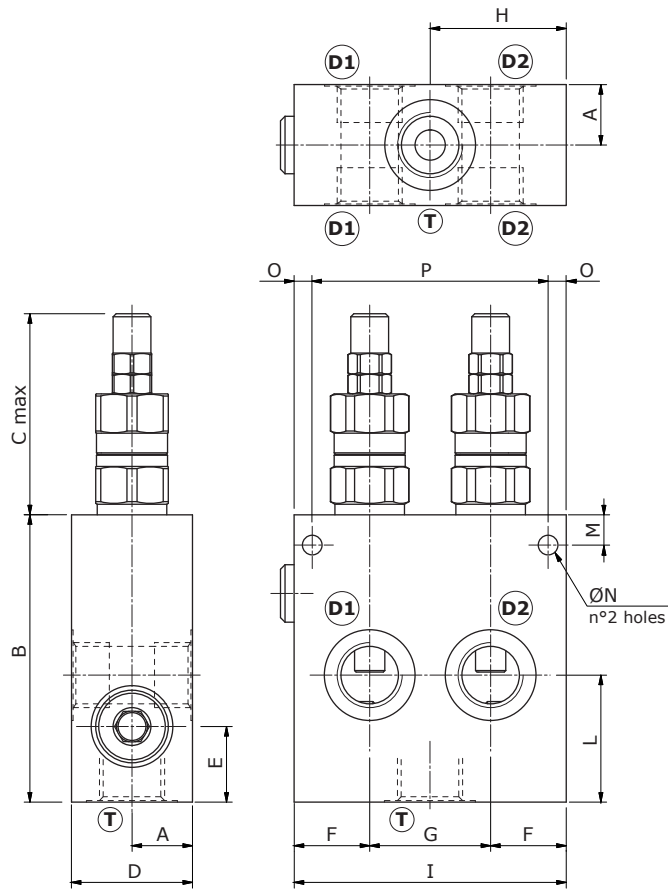
Technical specifications and diagrams are measured with mineral oil of 46 cSt viscosity at 40°C (104°F) temperature.

	VAIL/VA 12	VAIL/VA 34
Nominal flow	35 l/min (9.2 US gpm)	80 l/min (21 US gpm)
Max. pressure	Aluminium body = 210 bar (3050 psi) Steel body = 350 bar (5100 psi)	
Oil leakage at 80% of max. setting	6 cm ³ /min (0.37 in ³ /min)	
Fluid	mineral based oil	
Viscosity	from 10 to 200 cSt	
Max. level of contamination	18/16/13 ISO4406	
Fluid temperature	with NBR seals from -20°C (-4°F) to 80°C (176°F) with FPM seals from -20°C (-4°F) to 100°C (212°F)	
Environmental temp. for working conditions	from -40°C (-40°F) to 100°C (212°F)	
Weight	aluminium	2.48 kg (5.47 lb)
	steel	3.49 kg (7.69 lb)
		2.23 kg (4.92 lb)
		4.47 kg (9.85 lb)

NOTE - For different conditions, please contact Walvoil Sales Dpt.



Dimensions

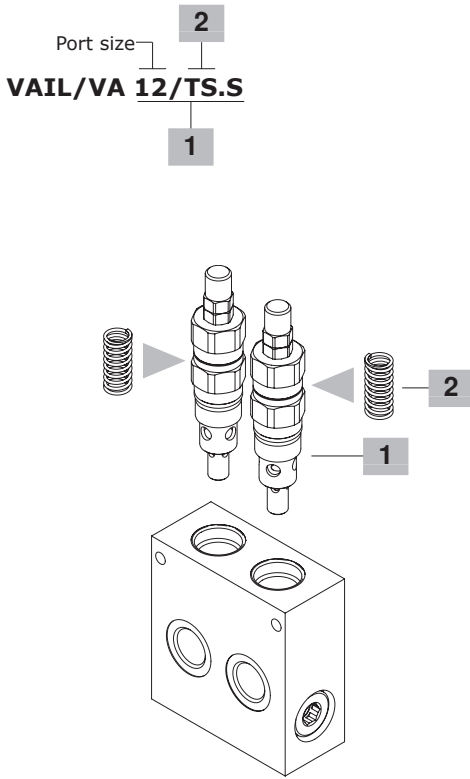


Valve type	All ports
VAIL/VA 12	G1/2
VAIL/VA 34	G3/4
Valve type	All ports
VAIL/VA 12/SAE	SAE10
VAIL/VA 34/SAE	SAE12

Dimensions are in mm-in

Valve type	A	B	C	D	E	F	G	H	I	L	M	ØN	O	P
VAIL/VA 12 VAIL/VA 12/SAE	20-0.79	95-3.74	68-2.68	40-1.57	25-0.98	25-0.98	40-1.57	45-1.77	90-3.54	42-1.65	10-0.39	6.5-0.25	6-0.24	78-3.07
VAIL/VA 34 VAIL/VA 34/SAE	25-0.98	110-4.33	82.5-3.25	50-1.97	24-0.94	29-1.14	52-2.05	55-2.05	110-4.33	47-1.85	10-0.39	8.5-0.33	8-0.31	94-3.70

Ordering codes and description composition



VAIL/VA complete valves

Aluminium body configuration, with direct acting valves; standard setting 140 bar @ 5 l/min (2030 psi at 1.32 US gpm)

TYPE	CODE	DESCRIPTION
Configuration with G1/2 standard thread		
VAIL/VA 12/TS.S	1142031102	Range 50-200 bar (725-2900 psi)
VAIL/VA 12/TS.S/ac	1142032101	Range 50-200 bar (725-2900 psi)
Configuration with G3/4 standard thread		
VAIL/VA 34/TS.S	1142041102	Range 50-200 bar (725-2900 psi)
VAIL/VA 34/TS.S/ac	1142042100	Range 50-200 bar (725-2900 psi)
Configuration with SAE10 standard thread		
VAIL/VA 12/TS.S/SAE	1142031200	Range 50-200 bar (725-2900 psi)
Configuration with SAE12 standard thread		
VAIL/VA 34/TS.S/SAE	1142041200	Range 50-200 bar (725-2900 psi)

1 Direct acting pressure relief valves

TYPE	CODE	DESCRIPTION
For G1/2 and SAE10 ports configuration		
VMP 12/TS.S	1100030406	Setting range 50-200 bar (725-2900 psi)
For G3/4 and SAE12 ports configuration		
VMP 34/TS.S	1100040406	Setting range 50-200 bar (725-2900 psi)

2 Pressure setting spring

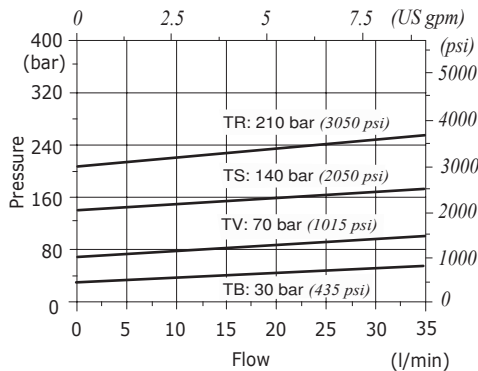
TYPE	CODE	DESCRIPTION
For VAIL/VA 12 valve		
TB	3ML1144600	Setting range 5-30 bar (72.5-435 psi)
TV	3ML1144601	Setting range 20-100 bar (290-1450 psi)
TS	3ML1144602	Setting range 50-200 bar (725-2900 psi)
TR	3ML1144603	Setting range 100-300 bar (1450-4350 psi)

For VAIL/VA 34 valve		
TV	3ML1166804	Setting range 5-100 bar (72.5- 1450 psi)
TS	3ML1146800	Setting range 50-200 bar (725-2900 psi)
TR	3ML1166805	Setting range 100-300 bar (1450-4350 psi)

For other steel body configurations, SAE thread and configurations with FPM (Viton) seals, please contact our Sales Dpt.

Rating diagrams

VAIL/VA 12 pressure drop vs. flow
Std. setting @ 5 l/min (1.32 US gpm)



VAIL/VA 34 pressure drop vs. flow
Std. setting @ 5 l/min (1.32 US gpm)

