



Type VODL/N78 /.... counterbalance valves

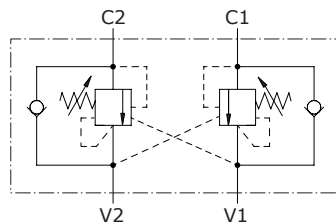
- Double acting
- Load sensitive

Technical specifications and diagrams are measured with mineral oil of 46 cSt viscosity at 40°C (104°F) temperature.

VODL/N78 - VODL/N78/..PB

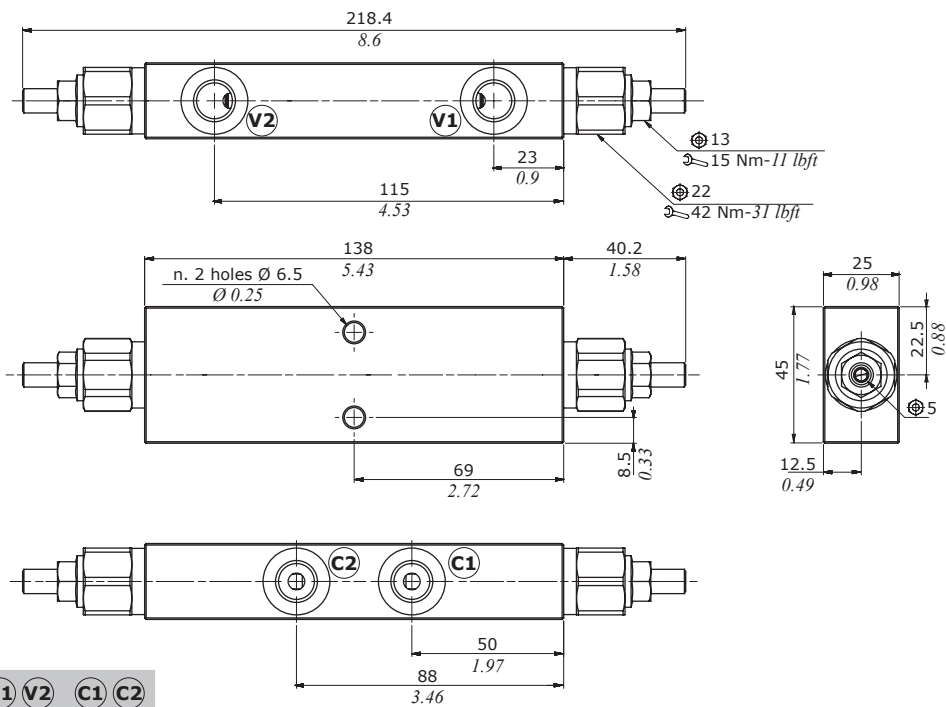
Nominal flow	40 l/min (10.57 US gpm)
Max. pressure	Steel body = 350 bar (5100 psi)
Oil leakage	0.25 cm ³ /min - 0.015 in ³ /min. (5 drops) at 80% of pressure setting
Fluid	mineral based oil
Viscosity	from 10 to 200 cSt
Max. level of contamination	18/16/13 ISO4406
Fluid temperature	with NBR seals from -20°C (-4°F) to 80°C (176°F)
Environmental temp. for working conditions	from -40°C (-40°F) to 100°C (212°F)
	steel
	1.25 kg (2.75 lb)

NOTE - For different conditions, please contact Walvoil Sales Dpt.



Dimensions

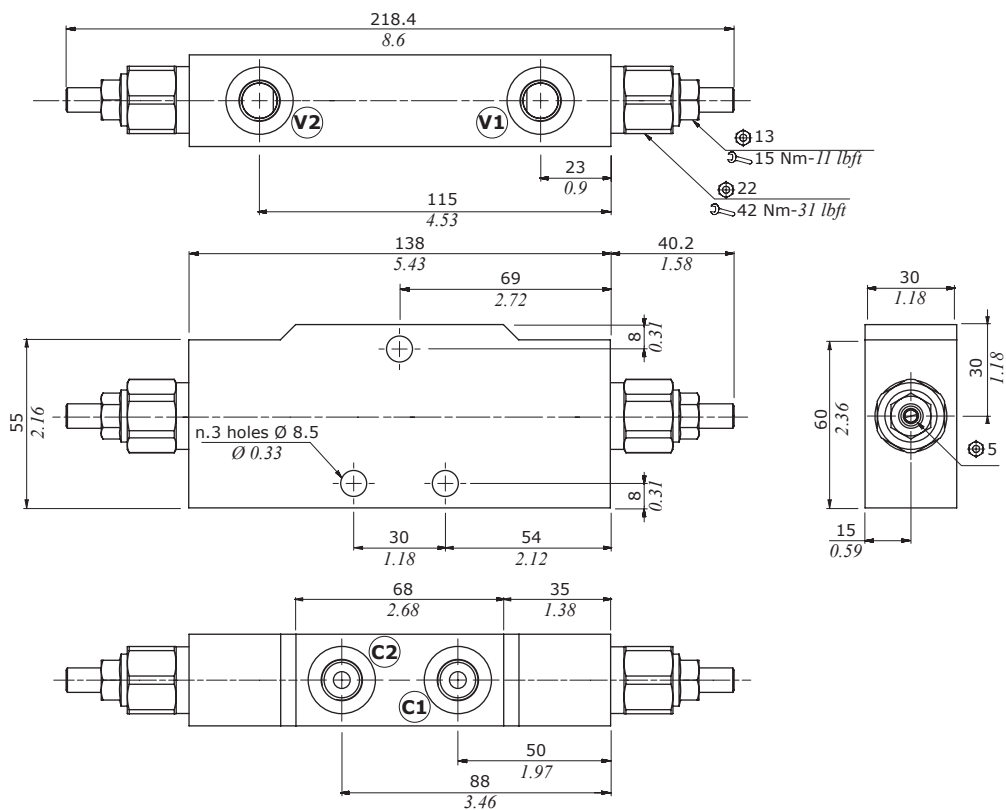
VODL/N78/14



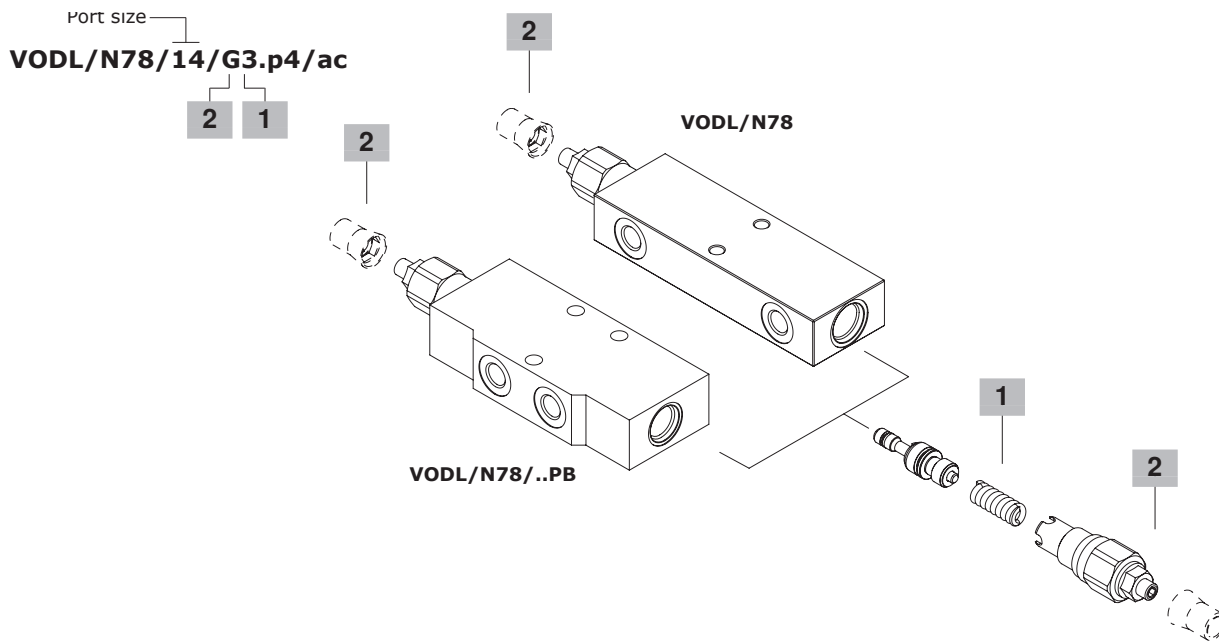
Tipo valvola	V1	V2	C1	C2
VODL/N78/14	G1/4	G1/4		
VODL/N78/14PB	G1/4	G1/4		

Tipo valvola	V1	V2	C1	C2
VODL/N78/S6	SAE6	SAE6		

VODL/N78/14PB



Ordering codes and description composition



VODL/N78 complete valves

TYPE: **VODL/N78/14/G5.p4/ac** CODE: 1553612100
 DESCRIPTION: Steel body, pilot ratio 1:4, range 100-350 bar (1450-5075 psi), standard setting 280 bar (4060 psi) @ 5 l/min (1.32 US gpm)
 TYPE: **VODL/N78/14/G3.p4/ac** CODE: 1553612101
 DESCRIPTION: Steel body, pilot ratio 1:4, range 60-220 bar (870-3190 psi), standard setting 150 bar (2170 psi) @ 5 l/min (1.32 US gpm)
 TYPE: **VODL/N78/S6/G5.p4/ac** CODE: 1553612200
 DESCRIPTION: Steel body, pilot ratio 1:4, range 100-350 bar (1450-5075 psi), standard setting 280 bar (4060 psi) @ 5 l/min (1.32 US gpm)
 TYPE: **VODL/N78/S6/G3.p4/ac** CODE: 1553612201
 DESCRIPTION: Steel body, pilot ratio 1:4, range 60-220 bar (870-3190 psi), standard setting 150 bar (2170 psi) @ 5 l/min (1.32 US gpm)

VODL/N78....PB complete valves

TYPE: **VODL/N78/14PB/G5.p4/ac** CODE: 1553712100
 DESCRIPTION: Steel body, pilot ratio 1:4, range 100-350 bar (1450-5075 psi), standard setting 280 bar (4060 psi) @ 5 l/min (1.32 US gpm)
 TYPE: **VODL/N78/14PB/G3.p4/ac** CODE: 1553712101
 DESCRIPTION: Steel body, pilot ratio 1:4, range 60-220 bar (870-3190 psi), standard setting 150 bar (2170 psi) @ 5 l/min (1.32 US gpm)

1 Pressure setting spring

TYPE	CODE	DESCRIPTION
For 1:4 pilot ratio		
3	3MOL310282	For range 60-220 bar (870-3190 psi) standard setting 150 bar (2170 psi) @ 5 l/min (1.32 US gpm)
5	380113	For range 100-350 bar (1450-5075 psi) standard setting 280 bar (4060 psi) @ 5 l/min (1.32 US gpm)

2 Setting type

TYPE	CODE	DESCRIPTION
G	-	Screw setting
Z	4COP120420	Antitampering cap

Rating diagrams

