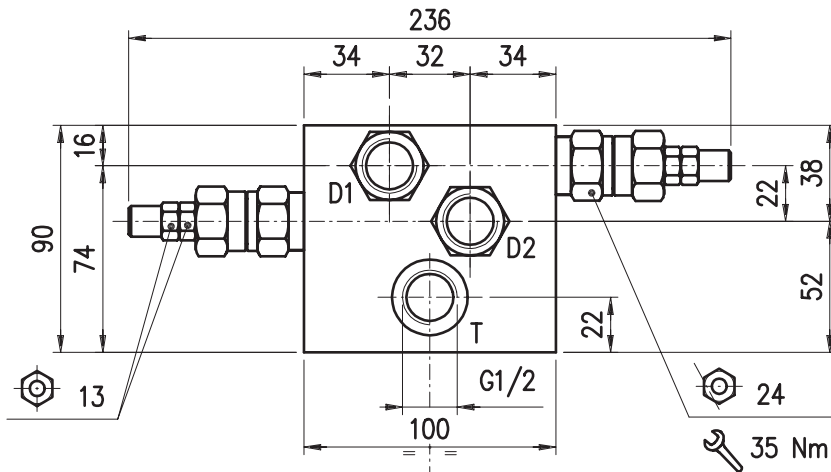
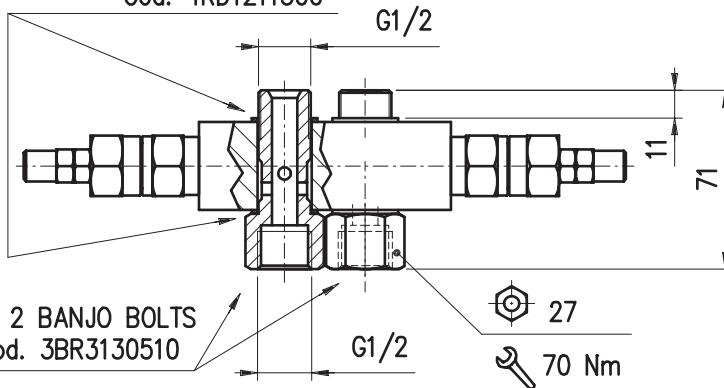


• DIMENSIONS (mm)

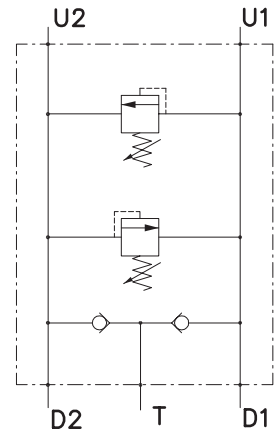


n° 4 WASHER 26x21,5x1,5
 Cod. 4RD1211500

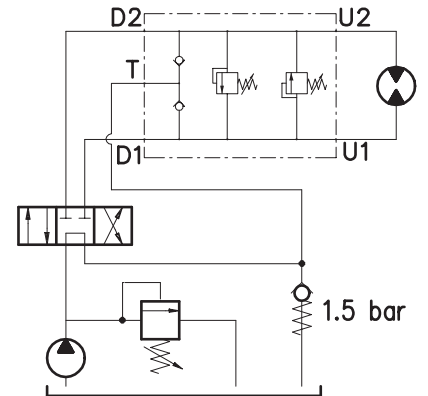


n° 2 BANJO BOLTS
 Cod. 3BR3130510

• HYDRAULIC DIAGRAM



• ASSEMBLY DIAGRAM



• DESCRIPTION

Dual cross-line relief valve with anti cavitation. Direct acting, poppet type, face mounting for Sauer-Danfoss motor OMS series, including washers and banjo bolts

• OPERATION

Allows pressure relief on delivery pipes to engines and cylinders. When the actuator is braking, two check valves allow for anti cavitation on delivery side.

• PERFORMANCE

Maximum flow: 35 l/min.

Maximum Pressure:

- 210 bar (aluminium valves)
- 350 bar (steel valves)

Application range with standard springs:

- 5 + 40 bar; pressure increase= 1.59 bar/turn (test setting: 30 bar at 5 l/min.)
- 20 + 80 bar; pressure increase= 7.03 bar/turn (test setting: 60 bar at 5 l/min.)
- 50 + 220 bar; pressure increase= 24.15 bar/turn (test setting: 160 bar at 5 l/min.) STANDARD
- 180 + 350 bar; pressure increase= 72.24 bar/turn (test setting: 250 bar at 5 l/min.)

Hysteresis: 85% of the valve setting for 1 L. flow capacity per minute.

To perform setting of the valve see the pressure drop / flow diagram.

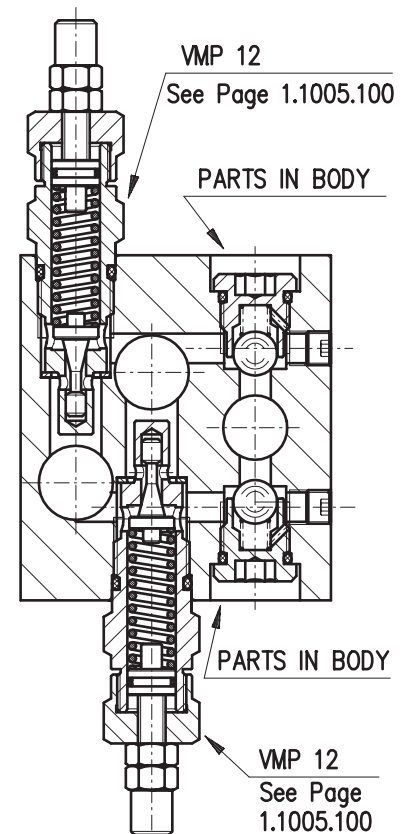
Working temperature:

- min. -25°C max. 90°C with standard BUNAN gaskets
- min. -20°C max. 200°C with optional VITON gaskets

Spare Parts KIT:

- Banjo bolts (Ordering code: 3BR3130510)
- External Seals for cartridges type VMP 12 (Ordering code: 5KT1000301)

• CROSS SECTION



RECOMMANDATIONS

Fluid: best use mineral oil with viscosity ranging between 10 and 200 cSt.

Filter: see page Z.9000.000.

Weight:

- 2.5 kg aluminium valves
- 3.3 kg steel valves

Cartridge used: see page 1.1005.100.

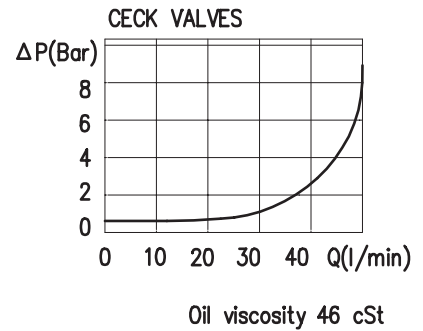
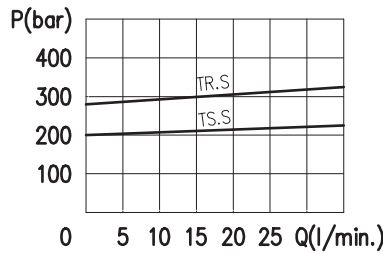
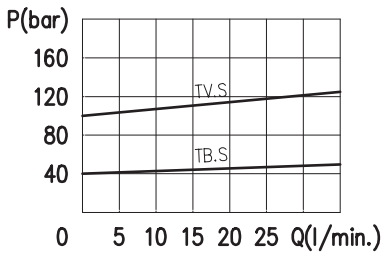
Material: internal components made out of high grade steel duly treated and fabricated.

For more information please ask our technical office .

Variations and modifications of technical features and dimensions are reserved. **OLEOSTAR S.p.A.** also reserves the right to stop production of each and any model listed in the catalogue with no notice.

Copyrights on the text contained herein belong to **OLEOSTAR S.p.A.** . Partial and full reproductions or copies of this catalogue are forbidden.

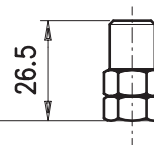
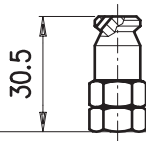
• RATING DIAGRAMS



• ADJUSTMENTS

W

S



• CODE NUMBER

VAIF /VA 12/ OMS / □□ . □ / □□

